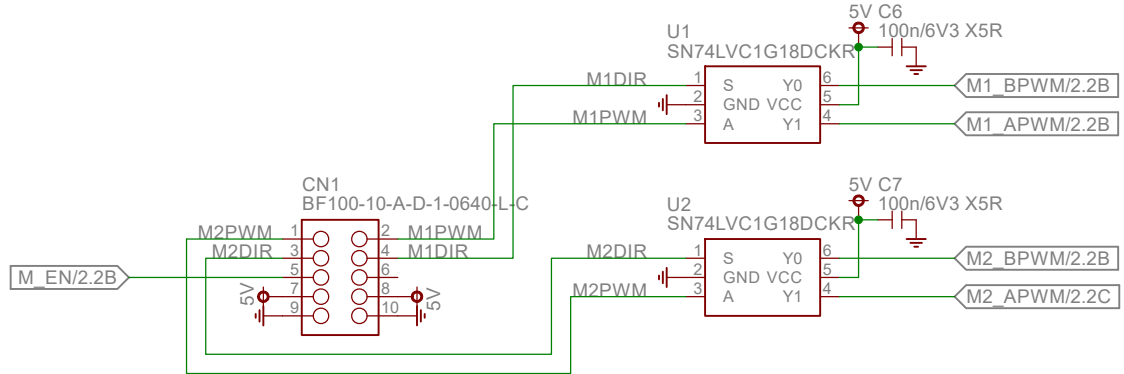
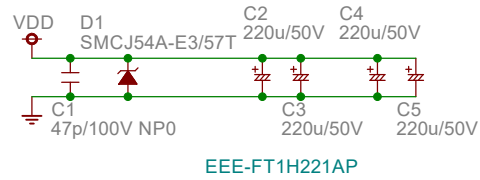
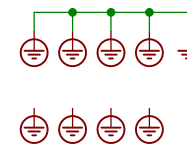
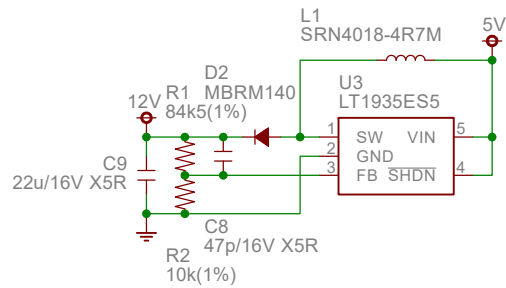


POWER IN



12V BOOST DCDC



UD5 Power	
TITLE: E207	REV:
Production order: Org.	
Date: 2024/06/05	Sheet: 1/2
BestTechnology Co.,ltd.	

